

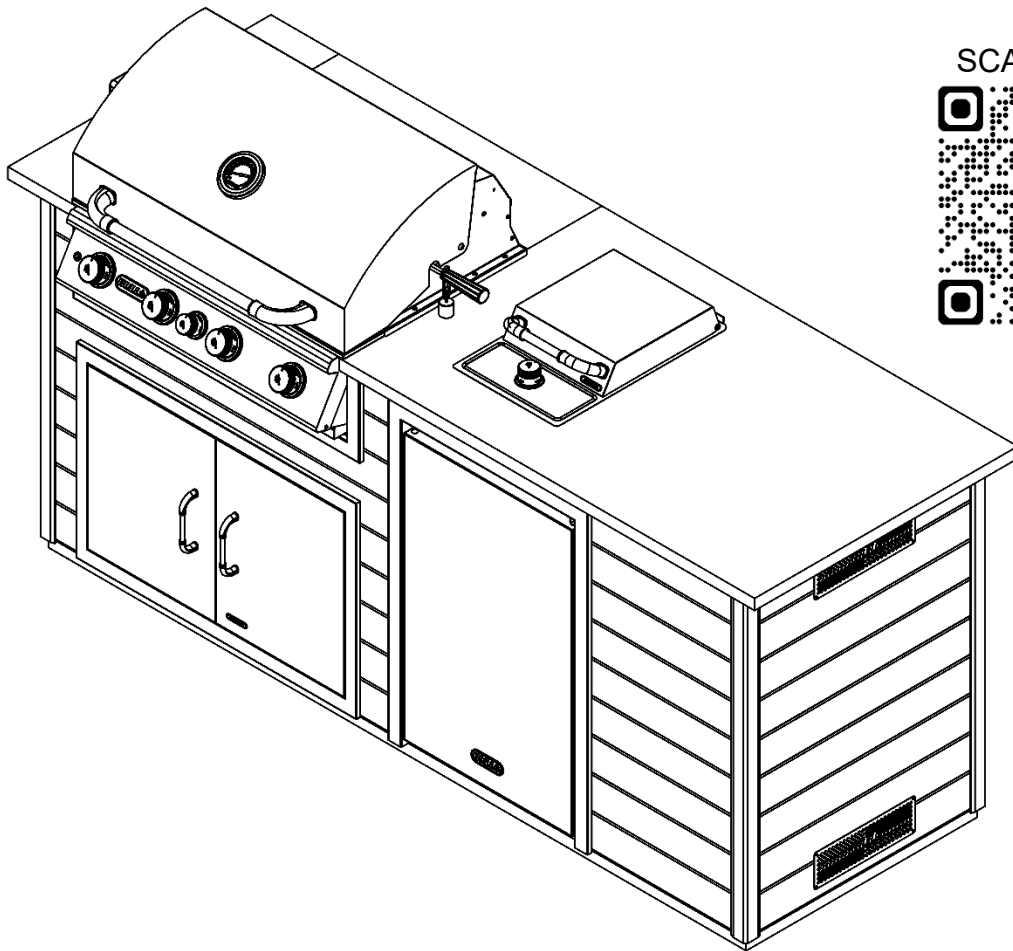


BULL OUTDOOR PRODUCTS

SimpleBuild OUTDOOR KITCHEN

ASSEMBLY INSTRUCTIONS

SKU# 16060



SCAN HERE



Follow along with our
accompanying video
tutorial!

IMPORTANT:

**ADDITIONAL TOOLS
REQUIRED FOR ASSEMBLY
(REFER TO PAGE 5)**

IMPORTANT:

**NATURAL GAS HOSES NOT PROVIDED
ELECTRICAL WIRING NOT PROVIDED**

USA EDITION





Table of Contents

ASSEMBLY PREPARATION	3
SHIPPING CONTENTS:	3
HARDWARE KIT CONTENTS:	4
KITCHEN ASSEMBLY SAFETY RECOMMENDATIONS	5
CONTACT INFORMATION	5
STEP 1: INITIAL PLACEMENT OF KITCHEN BASE	6
STEP 2: FRONT PANEL ASSEMBLY	6
STEP 3: LEFT PANEL ASSEMBLY	7
STEP 4: RIGHT PANEL ASSEMBLY	8
STEP 5: REAR PANEL ASSEMBLY	9
STEP 6: GRANITE SUPPORT ASSEMBLY	10
STEP 7: GRANITE SUPPORT BRACE INSTALLATION	11
STEP 8: CORNER ASSEMBLY	12
STOP! BEFORE PROCEEDING FURTHER...	13
STEP 9: DOOR FRAME INSTALLATION	15
STEP 10: REFRIGERATOR FRAME INSTALLATION	15
STEP 11: GRILL FRAME INSTALLATION	15
STEP 12: GRANITE LAYOUT	16
STEP 13: GRANITE SECUREMENT	16
STEP 14: GRILL INSTALLATION	18
STEP 15: SIDE BURNER INSTALLATION	18
STEP 16: REFRIGERATOR INSTALLATION	18
STEP 17: ENJOY YOUR NEW OUTDOOR KITCHEN	18

v2025.08.25

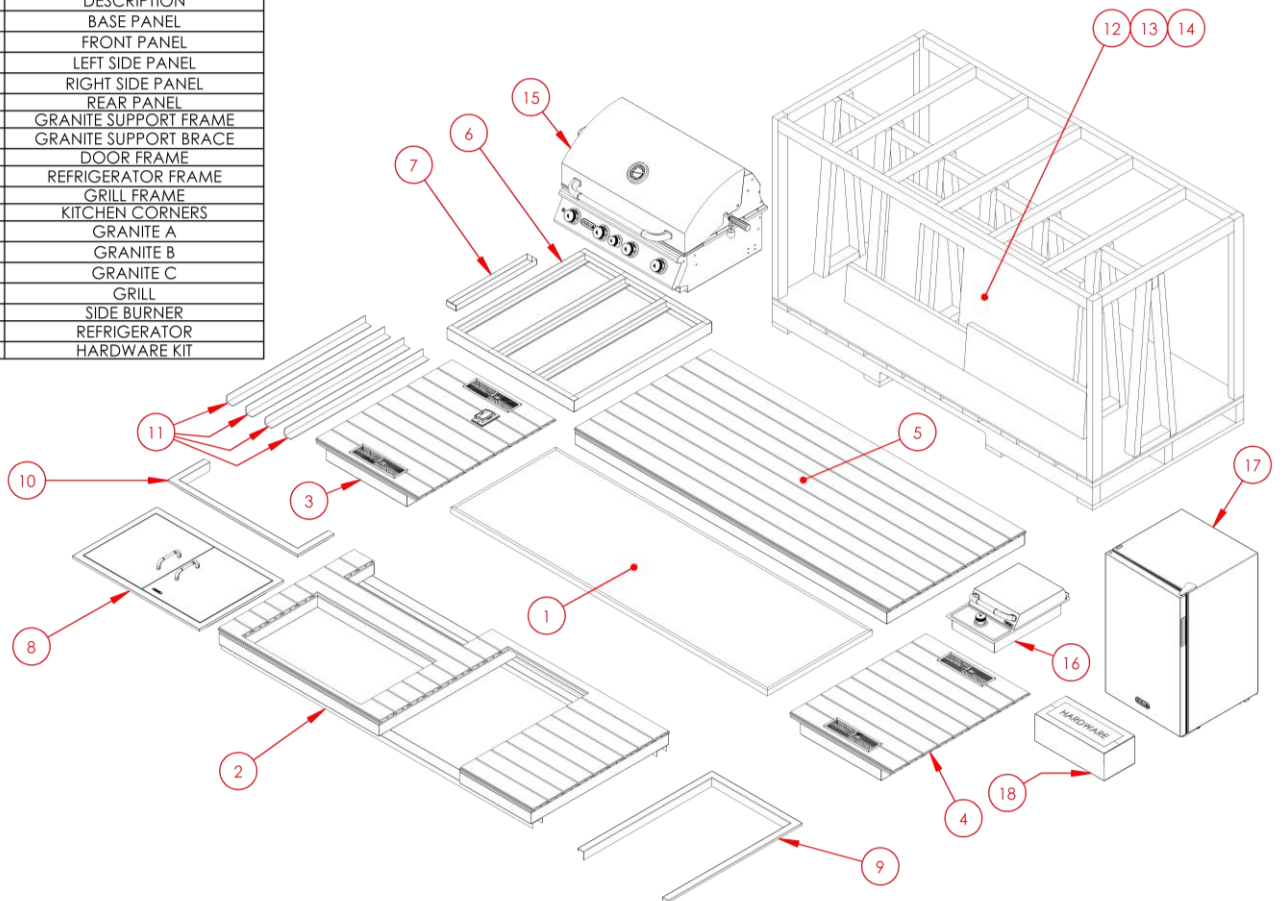


Assembly Preparation

- Prior to assembly, ensure all components are present using the table(s) and illustration(s) below.
- Color-matched silicone sealants are provided and should be verified before usage.
 - Granite specific sealants can be identified as shown in DETAIL F below in the **“HARDWARE KIT CONTENTS”** drawing:
 - Mapesil™ T Plus 5103 Cobblestone sealant should be provided for Colonial White countertops
 - Mapesil™ T Plus 5010 Black sealant should be provided for Steel Gray countertops.
 - Base specific sealants can be identified as shown in DETAIL D below in the **“HARDWARE KIT CONTENTS”** drawing:
 - ADSEAL 458-63 Sierra Bois XL Wood should be provided for Walnut bases.
 - ADSEAL458-22 Gris Ardoise Slate Gray should be provided for Slate Gray bases.
 - Do not try to assemble the kitchen until all parts have been accounted for.
- **NOTE:** To prevent damage, it is recommended that the granite not be unboxed or removed from the A-frame in the provided shipping container at this stage (Items 12, 13, and 14).

SHIPPING CONTENTS:

ITEM NUMBER	DESCRIPTION
1	BASE PANEL
2	FRONT PANEL
3	LEFT SIDE PANEL
4	RIGHT SIDE PANEL
5	REAR PANEL
6	GRANITE SUPPORT FRAME
7	GRANITE SUPPORT BRACE
8	DOOR FRAME
9	REFRIGERATOR FRAME
10	GRILL FRAME
11	KITCHEN CORNERS
12	GRANITE A
13	GRANITE B
14	GRANITE C
15	GRILL
16	SIDE BURNER
17	REFRIGERATOR
18	HARDWARE KIT

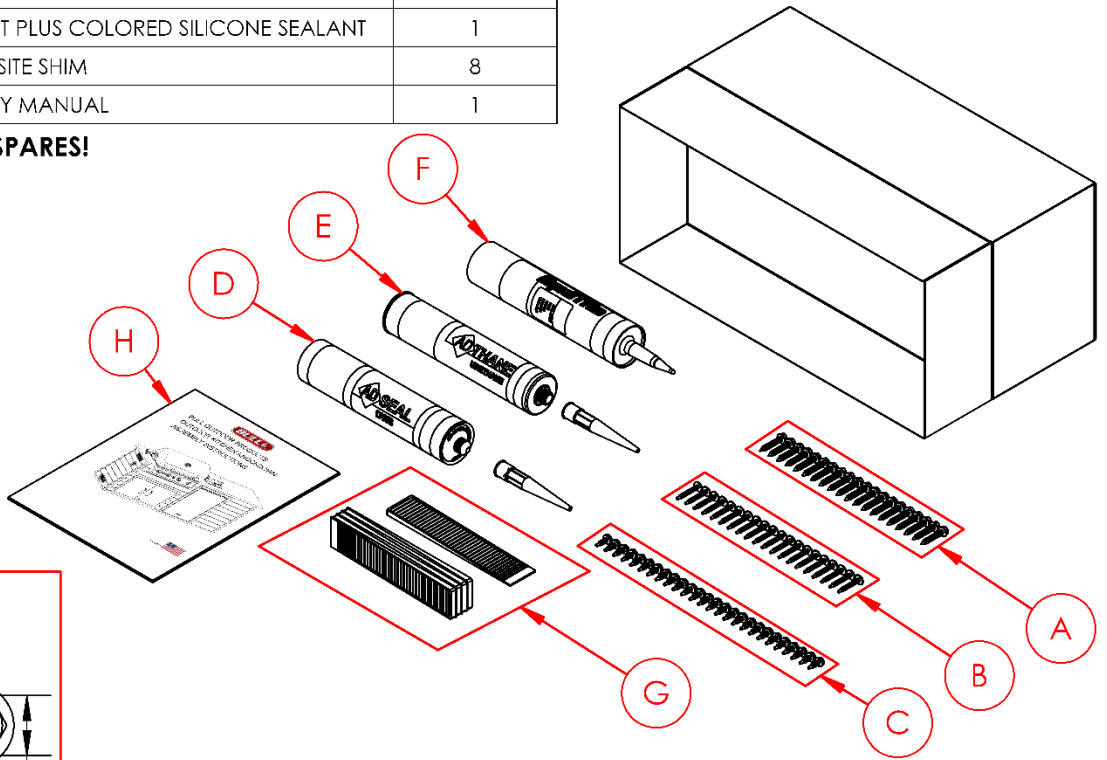




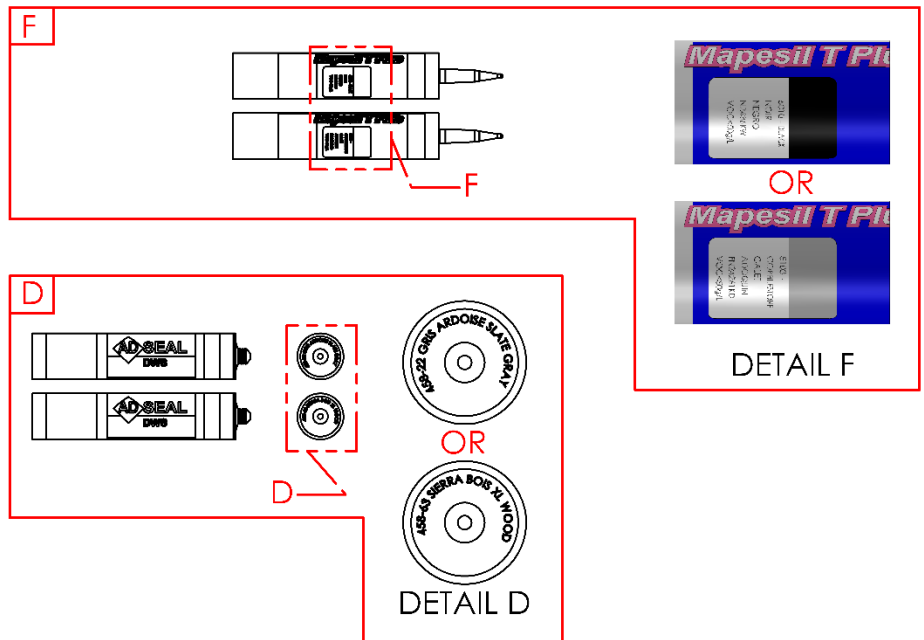
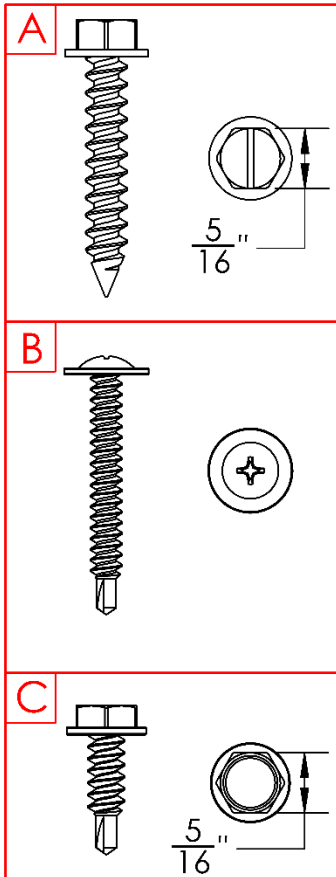
HARDWARE KIT CONTENTS:

ITEM NUMBER	DESCRIPTION	QUANTITY
A	#12 X 1 1/4", HEX HEAD SCREW	20*
B	#8 X 1 1/4", #2 PHILLIPS HEAD SCREW	20*
C	#10 X 5/8", HEX HEAD SCREW	26*
D	ADSEAL COLORED SILICONE SEALANT	1
E	ADTHANE URETHANE ELASTOMERIC SEALANT	1
F	MAPESIL T PLUS COLORED SILICONE SEALANT	1
G	COMPOSITE SHIM	8
H	ASSEMBLY MANUAL	1

* QUANTITY INCLUDES SPARES!



SCREW DETAIL
1:1





- The basic tools necessary to assemble the kitchen are shown below.

REQUIRED TOOLS:

TAPE MEASURE	
DRILL / DRIVER	
5/16" NUT DRIVER	
NO. 2 PHILLIPS HEAD DRILL BIT	
CAULK GUN	
QUALITY MASKING TAPE	
LIGHT DUTY GLOVES	
UTILITY KNIFE	
PAPER TOWELS / RAG	

OPTIONAL TOOLS:

FURNITURE DOLLY / HAND TRUCK	
CARBIDE-TIPPED HOLE SAW WITH ARBOR*	

* MAY BE REQUIRED FOR UTILITY LINE(S)


- A high-quality masking/painters tape is recommended for securing kitchen corners to the base while the silicone cures. Bull® recommends a tape width between 1.50" and 2.00"
 - IMPORTANT:** DO NOT USE ANY OTHER TYPE OF TAPE TO SECURE CORNERS (DUCT TAPE, ELECTRICAL TAPE, ETC.). DOING SO WILL LEAVE STUBBORN ADHESIVE RESIDUE ON COMPOSITE SIDING!

Kitchen Assembly Safety Recommendations

- For your safety, Bull® recommends the help of another person during assembly.
- WARNING:** There may be sharp metal edges present on steel framing. Light duty, cut-resistant gloves are recommended.
 - Consider cut level 1 gloves (ANSI A1) or greater to minimize risk of injury.

Contact Information

Should you come across any issues or need assistance during assembly, contact us at:

 (800) 521-2855

 islands@bullbbq.com



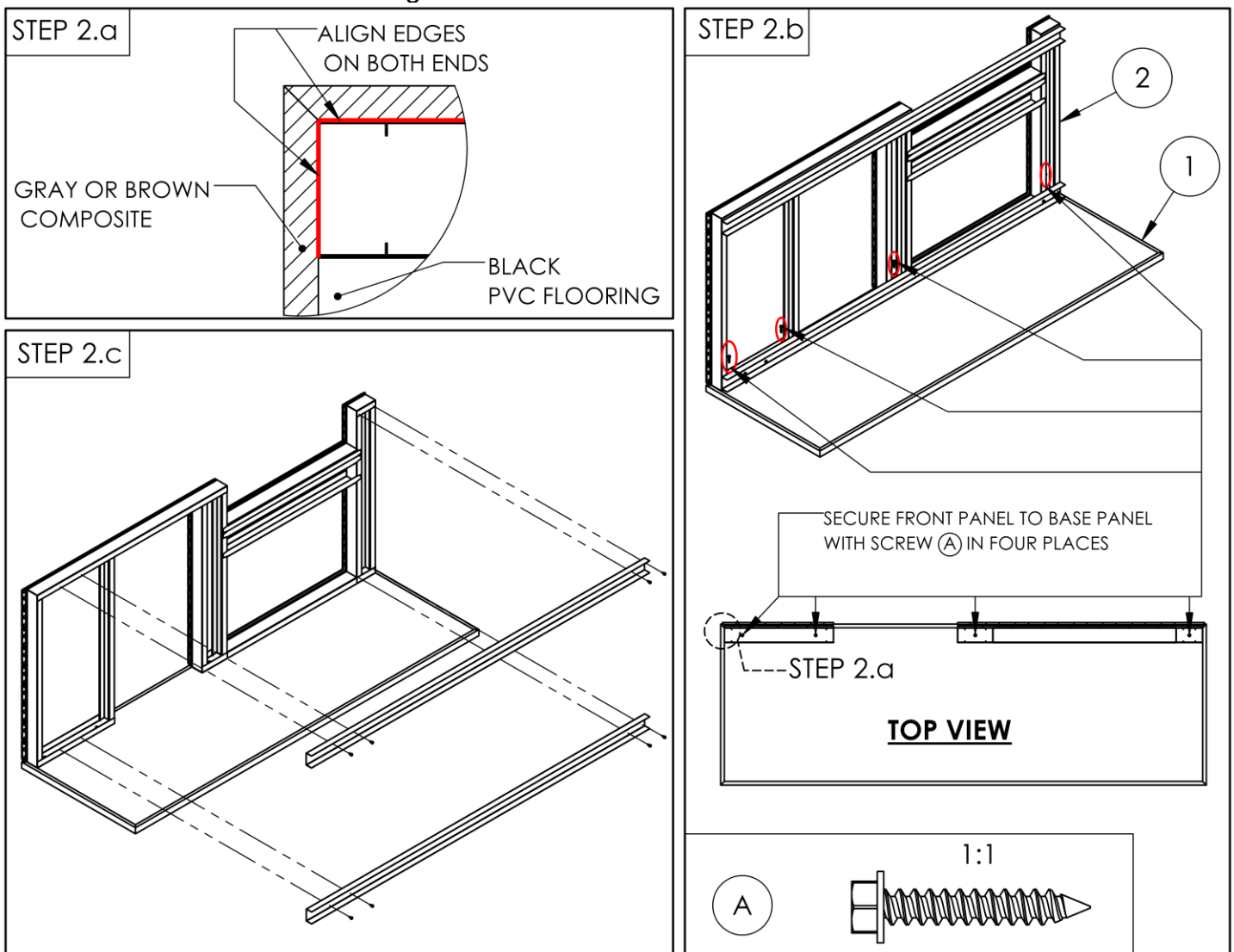
Step 1: Initial Placement of Kitchen Base

To limit the need for moving a fully assembled kitchen over long distances, it is suggested that the base panel (1) be placed as near to the desired finished location as possible prior to assembly.

Step 2: Front Panel Assembly

IMPORTANT: One person must hold the front panel (2) in place until one of the side panels (3 or 4) are installed!

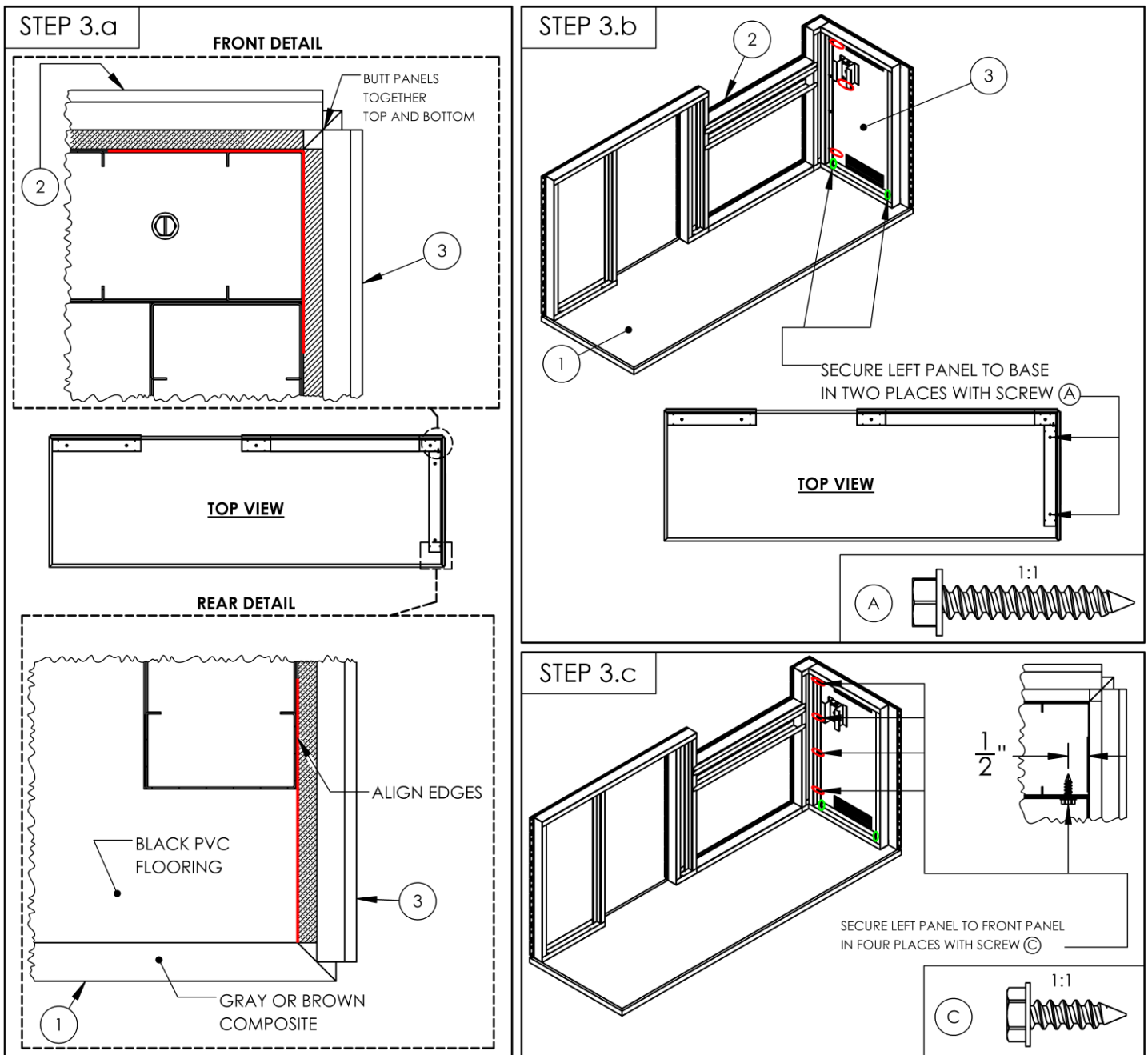
- Carefully maneuver the front panel (2) and position on top of the base panel (1). Align the steel, "U" shaped channel on the bottom of the front panel with the mitered corners on the base panel as shown below in Fig 2.a.
- With the front panel properly positioned, fasten the front panel to the base panel with screw (A) using drill and 5/16" nut driver.
- Once secured to the base, remove the top and bottom shipping brace with 5/16" nut driver and drill. The braces are no longer needed and can be discarded.





Step 3: Left Panel Assembly

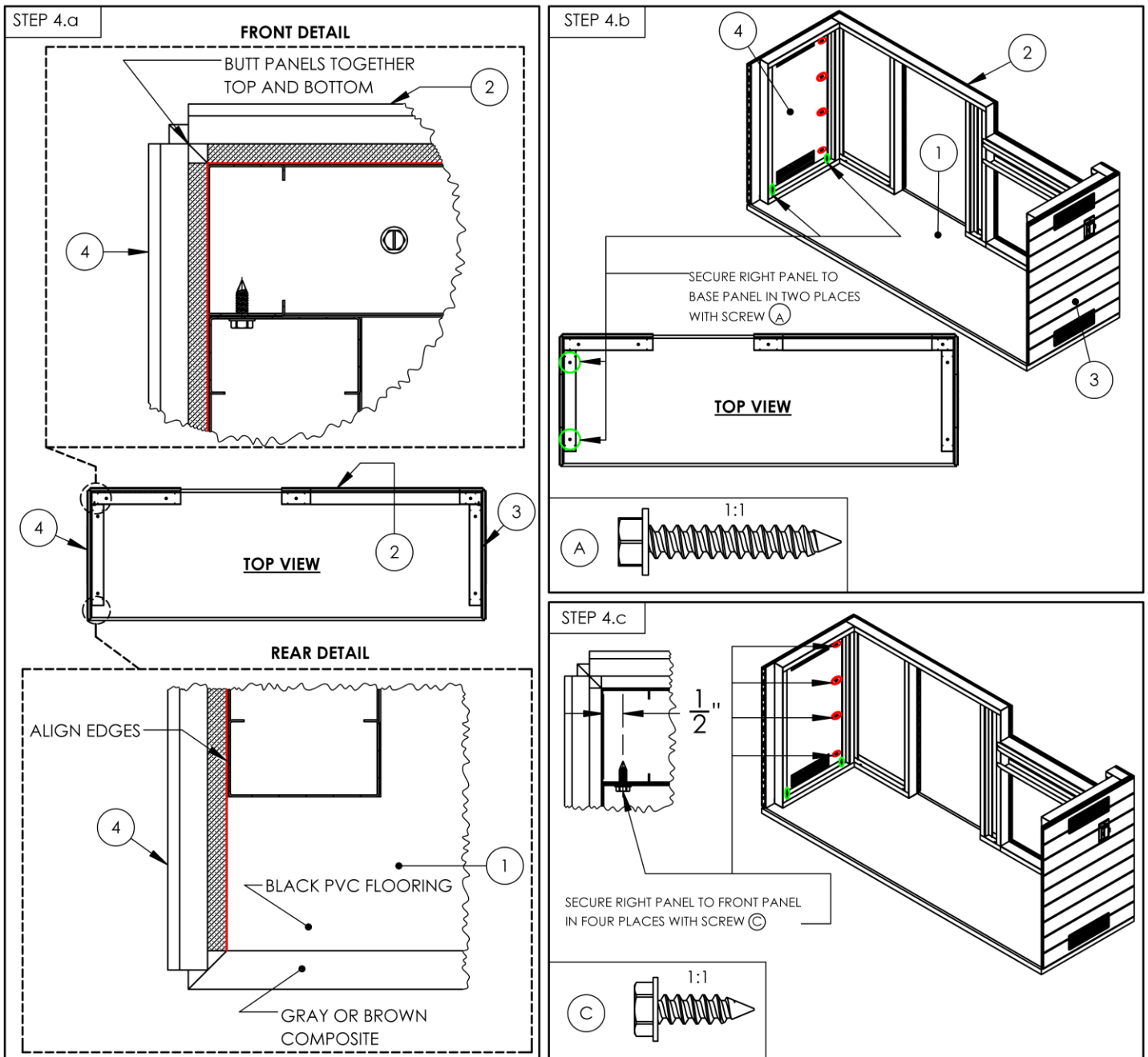
- Position the left side panel (3) on top of the base panel (1); ensure the left side panel is flush and square with the front panel (2) as shown below in Fig 3.a.
- Begin by securing the left side panel to the base panel in two places with screw (A) using drill and 5/16" nut driver.
- Next, fasten the left side panel to the front panel in four places with screw (C) using drill and 5/16" nut driver.
 - IMPORTANT:** Screw (C) should be located approximately $\frac{1}{2}$ " from the edge of the "C" shaped channel as shown to ensure proper engagement with the front panel stud.





Step 4: Right Panel Assembly

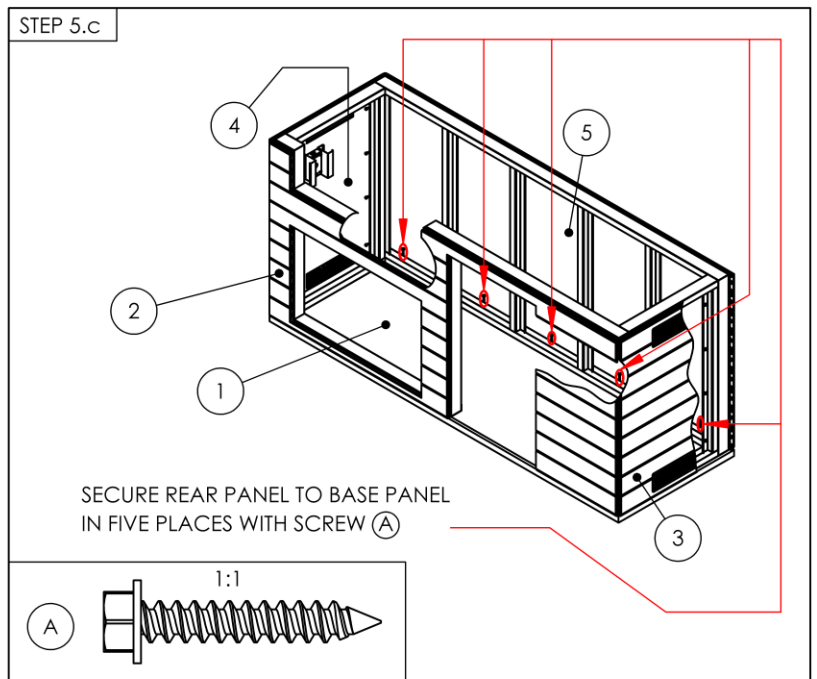
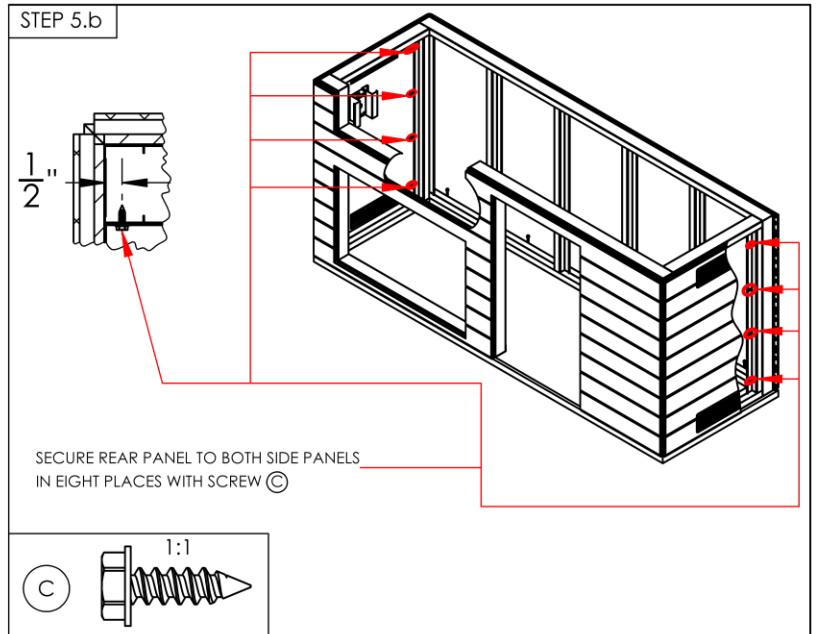
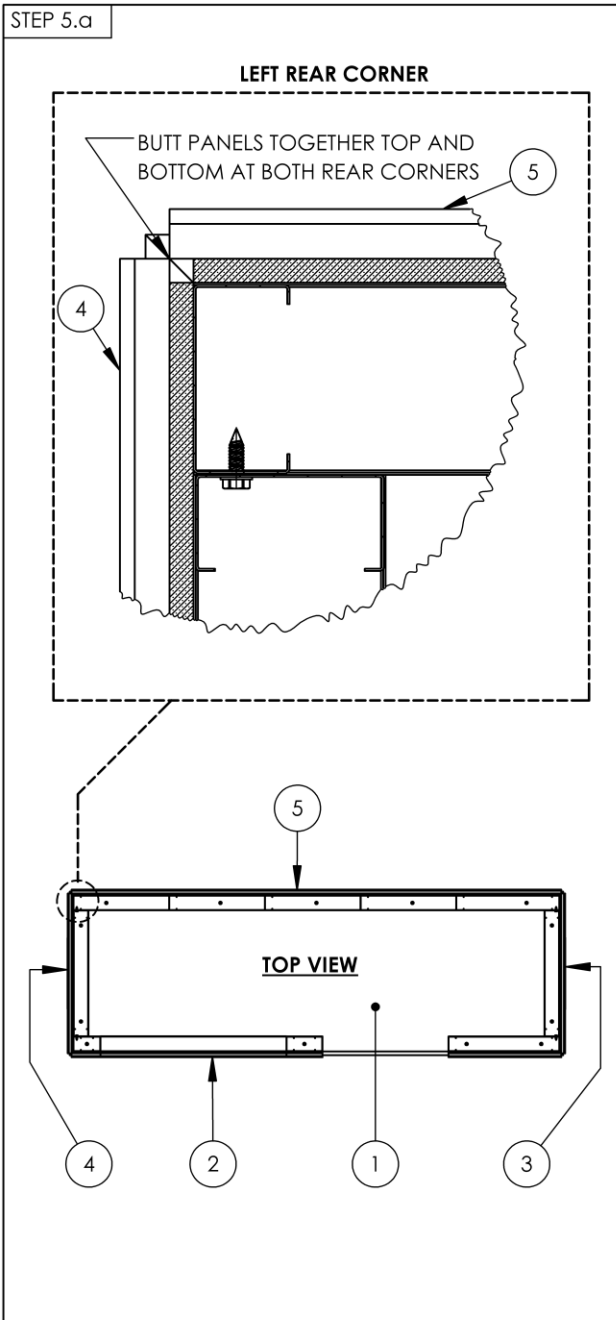
- Position the right side panel (4) on top of the base panel (1); ensure the right side panel is flush and square with the front panel (2) as shown below in Fig 4.a.
- Begin by securing the right side panel to the base panel in two places with screw (A) using drill and 5/16" nut driver.
- Next, fasten the right side panel to the front panel in four places with screw (C) using drill and 5/16" nut driver.
 - IMPORTANT:** Screw (C) should be located approximately $\frac{1}{2}$ " from the edge of the "C" shaped channel as shown to ensure proper engagement with the front panel stud.





Step 5: Rear Panel Assembly

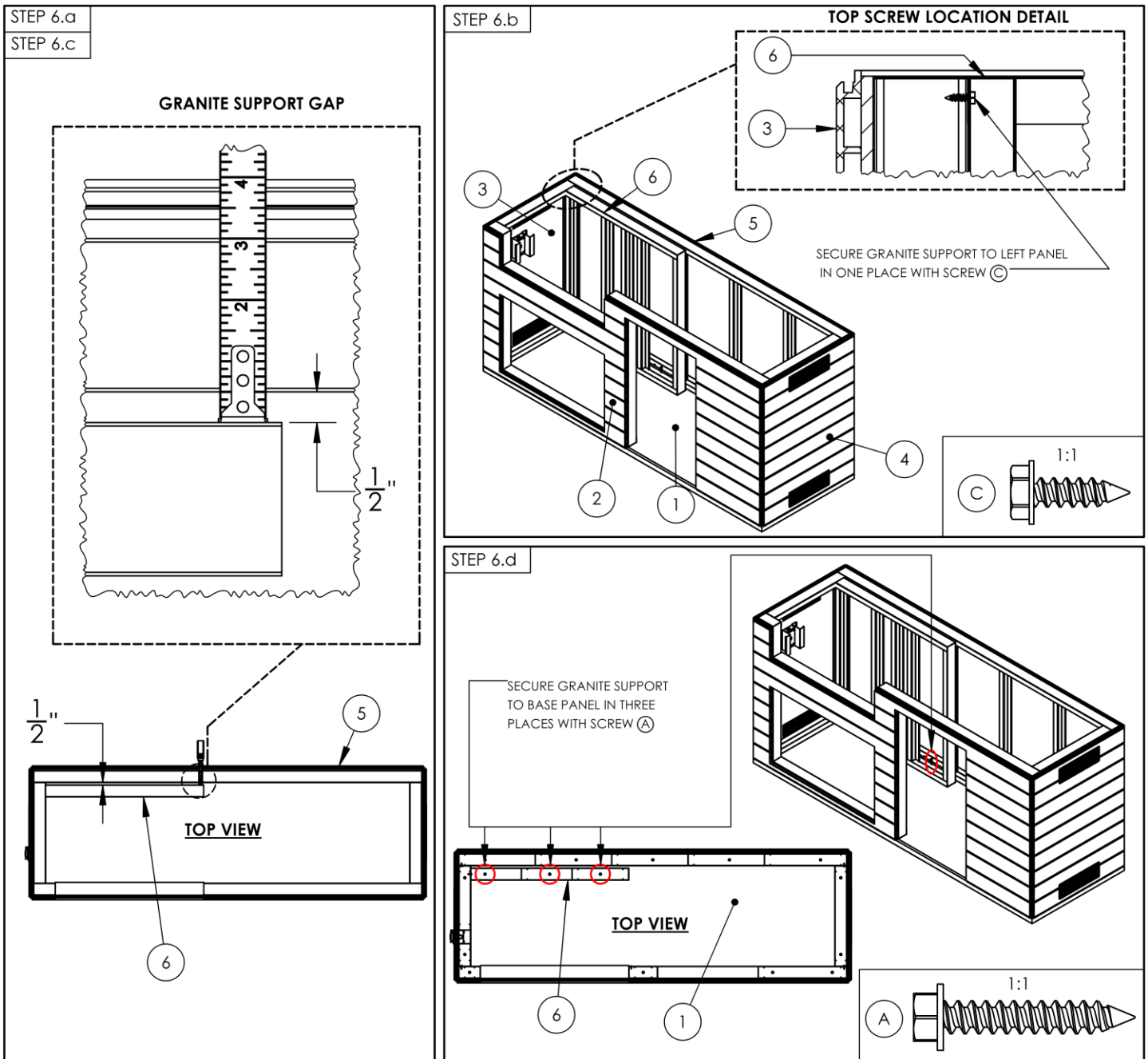
- Place the rear panel (5) on top of the base panel (1); ensure rear panel is flush and square with left panel (3) and right panel (4).
- Secure the rear panel to both left and right panels using four screws (C) per side with drill and 5/16" nut driver.
 - IMPORTANT:** Screw (C) should be located approximately 1/2" from the edge of the "C" shaped channel as shown to ensure proper engagement with the side panel studs.
- Attach the rear panel to the base panel with five screws (A) using drill and 5/16" nut driver.





Step 6: Granite Support Assembly

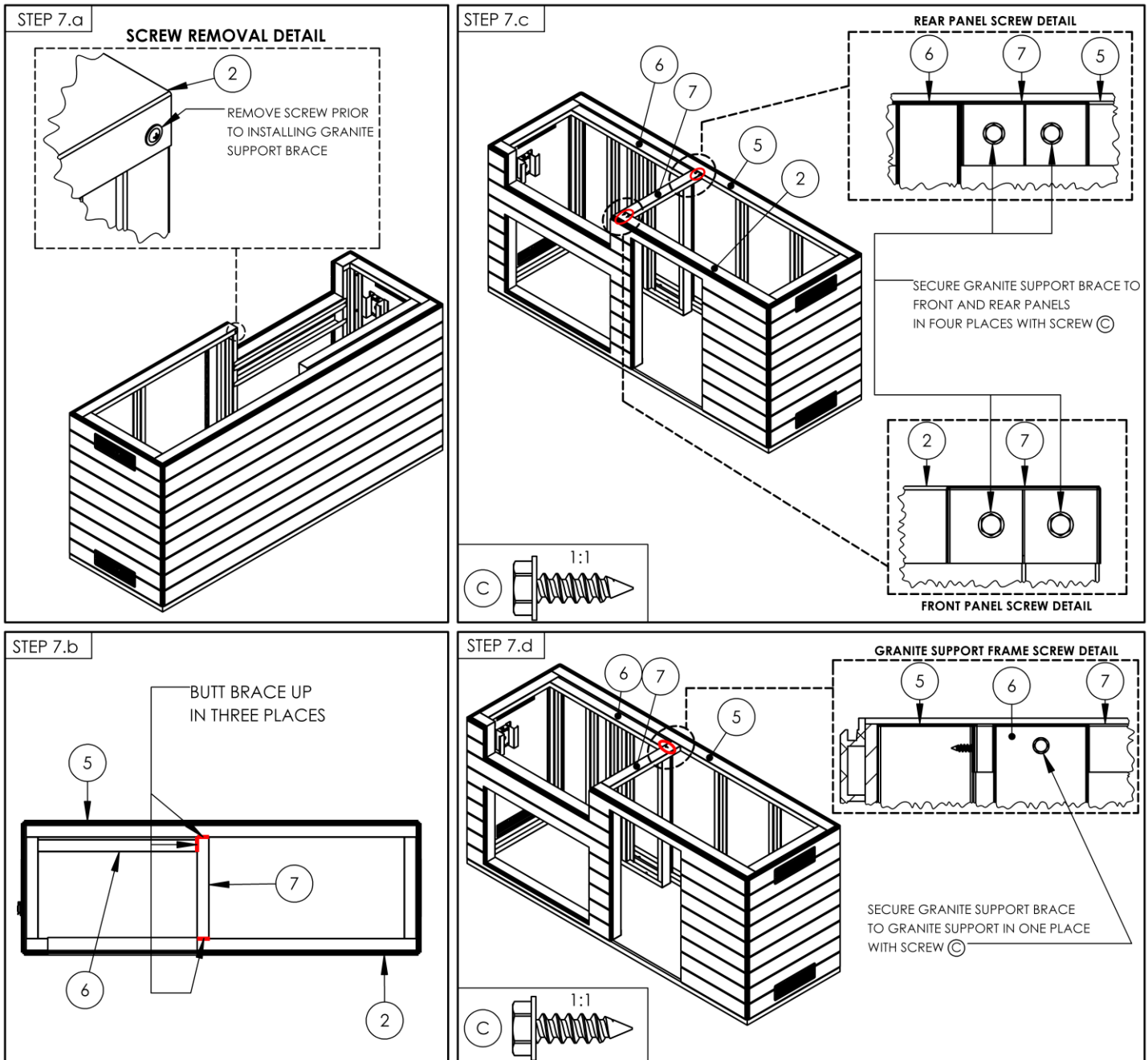
- Position granite support frame (6) as shown below in Fig 6.a, ensuring a $\frac{1}{2}$ " gap is kept on top and bottom between the support frame (6) and rear panel (5).
- Start first by attaching the frame (6) to the left side panel (3) up in the top left corner with one screw (C) using drill and 5/16" nut driver.
- Confirm again that there is a $\frac{1}{2}$ " gap on the bottom between the granite support frame (6) and rear panel (5).
- Proceed to fasten the granite support frame (6) to the base panel (1) in three places with screw (A) using drill and 5/16" nut driver.





Step 7: Granite Support Brace Installation

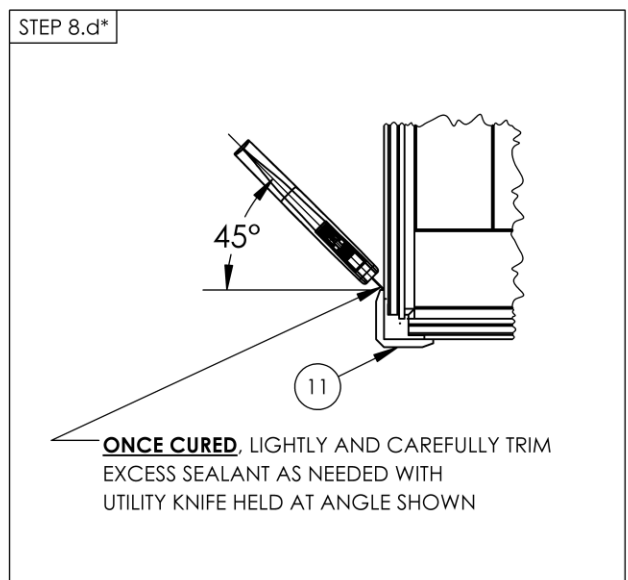
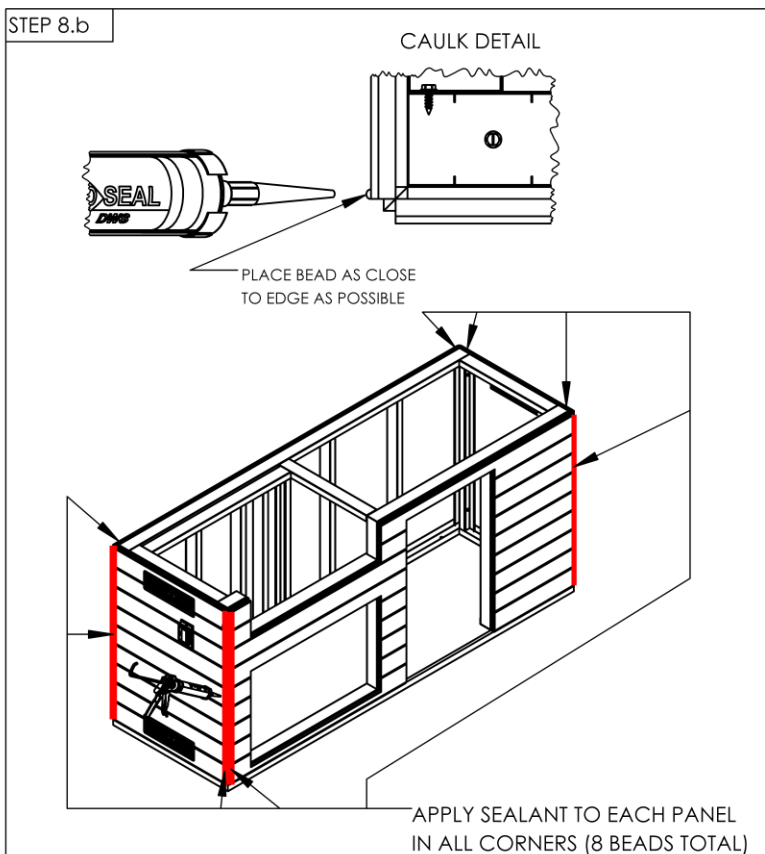
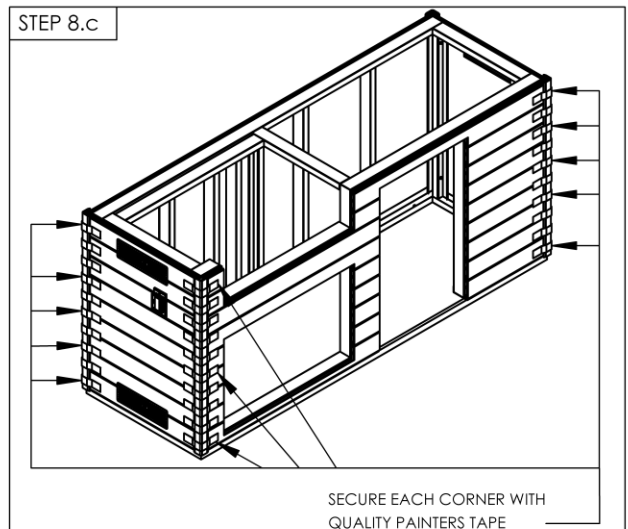
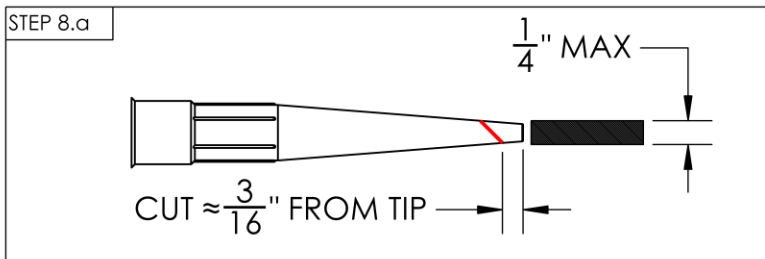
- Before installation of the granite support brace (7) it is necessary to remove one screw on the front panel (2) using drill and No. 2 Phillips bit.
- Have one person hold the granite support brace (7) up flush and square with the rear panel (5), granite support frame (6), and front panel (2).
- Begin by fastening the granite support brace (7) to the front panel (2) and rear panel (5) using two screws (C) per side with drill and 5/16" nut driver.
- Finally, attach the granite support frame (6) to the granite support brace (7) by running one screw (C) through the granite support frame (6) and into the granite support brace (7).





Step 8: Corner Assembly

- To minimize the risk of sealant leakage when securing the corners, Bull® recommends a sealant bead size in the range of 3/16" - 1/4" to affix corners (11) to the kitchen.
- Apply a solid, consistent bead of sealant along the full height of each panel (eight beads total).
 - Place beads as close to the edge as possible to reduce the amount of leakage.
- Press each corner (11) up against each kitchen corner and secure with multiple generous strips of high-quality painters/masking tape until the sealant has properly cured.
- Allow sealant to cure anywhere between 6 to 12 hours and then remove all masking tape.
 - If any sealant has seeped out from the corners, use a utility knife as shown below in Fig 8.d.
 - IMPORTANT:** Lightly and carefully run knife at an angle as necessary to clean up any excess sealant.
 - Should any residue be present from tape, clean with hot water and sponge only.
 - IMPORTANT:** Do not use any petroleum based products (acetone, paint thinners, etc.). Doing so can result in discoloration of the siding!





STOP! BEFORE PROCEEDING FURTHER...

- It is time to move the kitchen into its final resting place before continuing with installation.
- Any utility stub ups that will be installed through the base panel (1) **must** reside within the applicable, yellow-shaded areas as shown below.
 - Stub-up height(s) should not exceed 6"-12".
 - **NOTE:** the higher the stub ups are, the higher you will need to lift the kitchen!
- Utility lines can be run from rear panel (5), or side panels (3 or 4) as necessary.
 - **IMPORTANT:** With hole saw, drill from the outside of the sides towards the inside of the kitchen.
- **IMPORTANT:** A GFCI outlet is provided with this kitchen, **however**, it must still be hardwired (not included).

Figure 1: Stub-up locations for following options:

Four-burner Grill, Side Burner, Contemporary Refrigerator, and Double Door

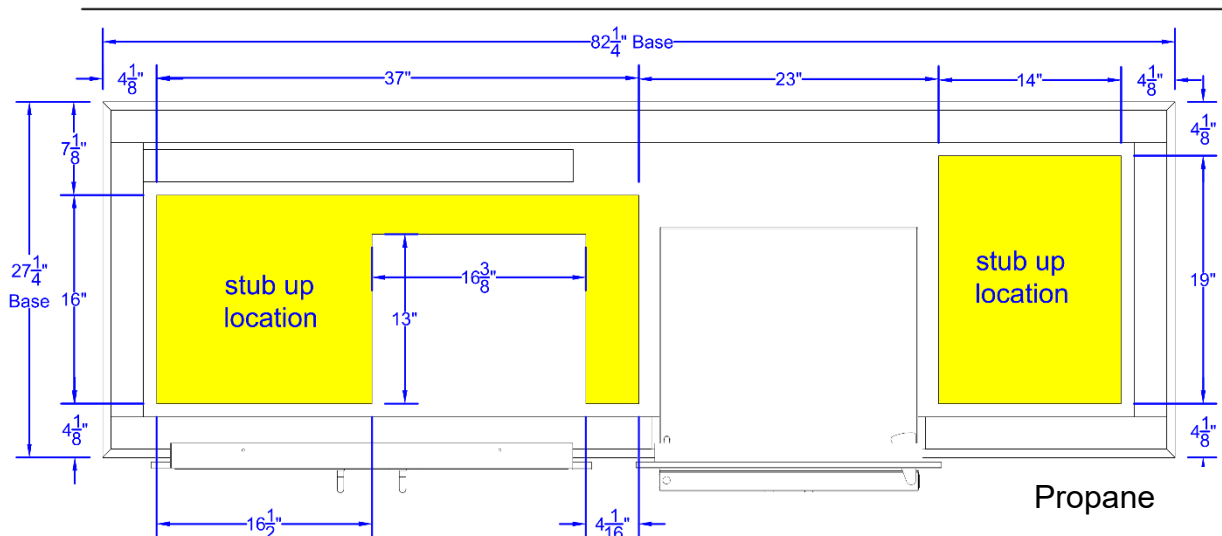
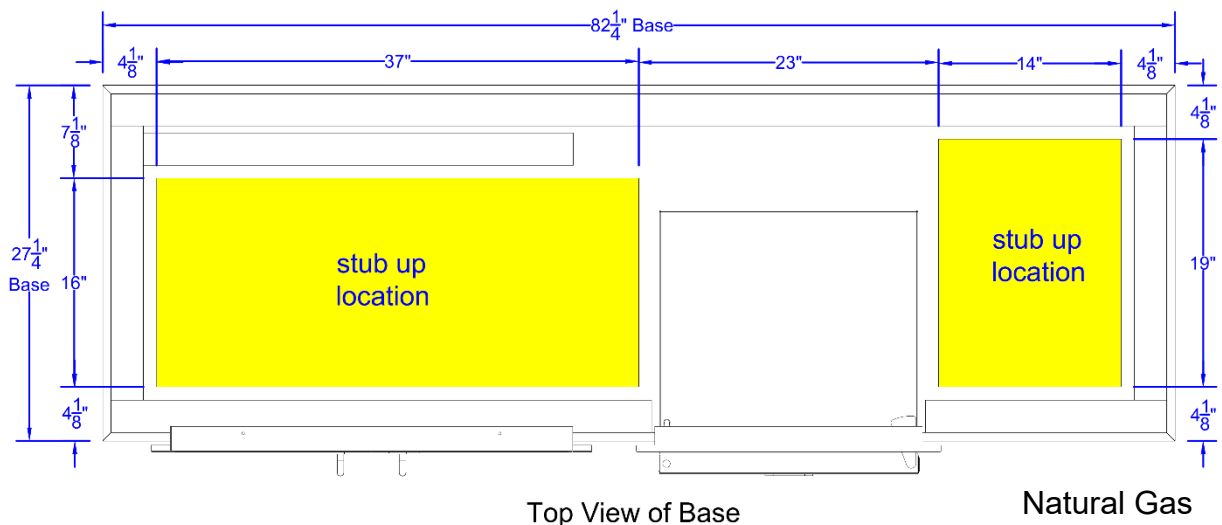
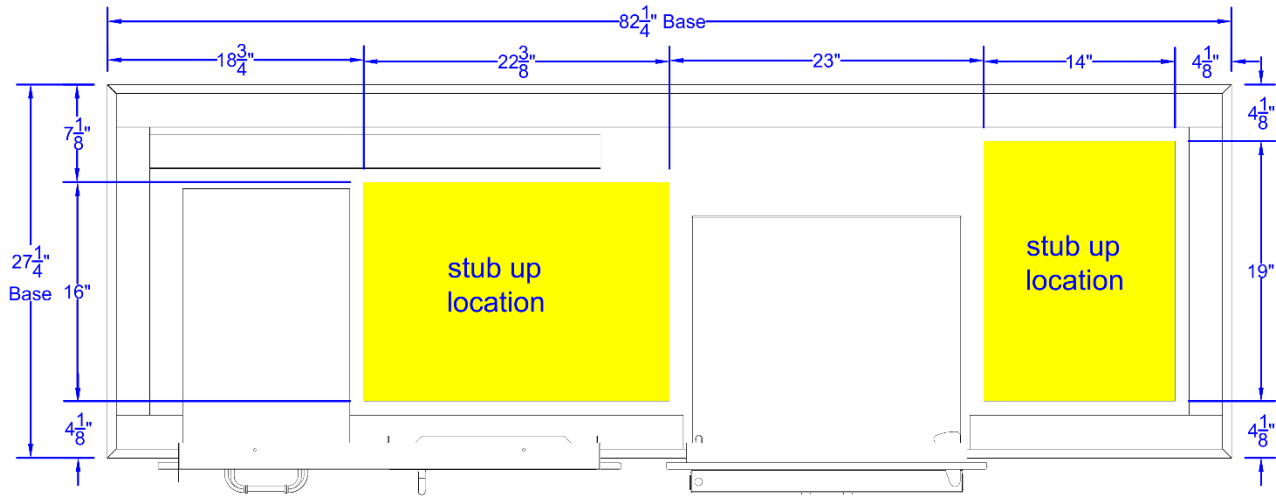




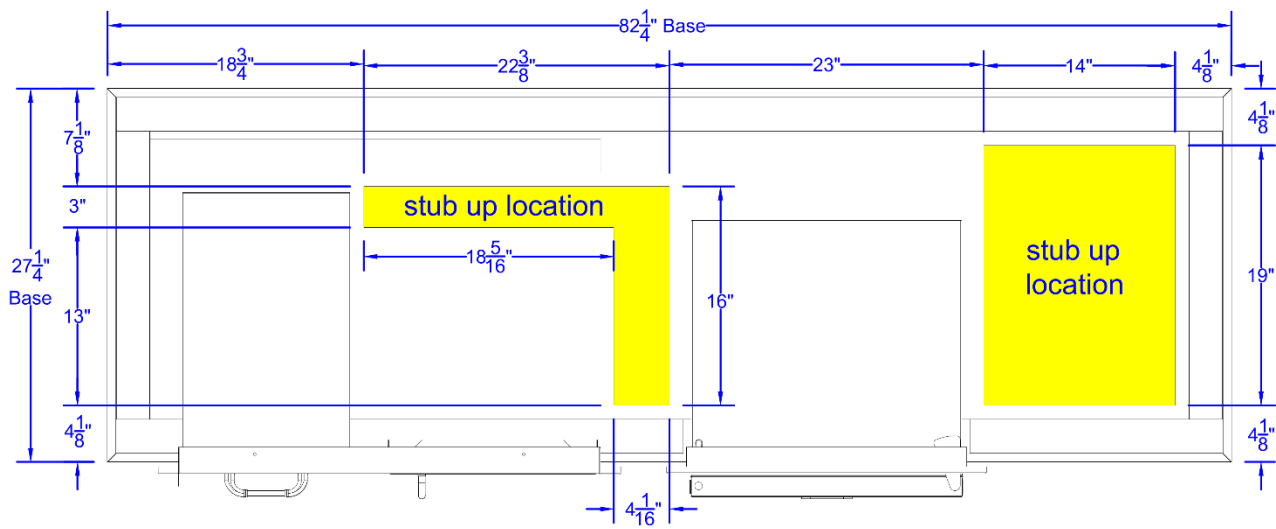
Figure 2: Stub-up locations for following options:

Four-burner Grill, Side Burner, Contemporary Refrigerator, and Door/Drawer Combo



Top View of Base

Natural Gas



Top View of Base

Propane



Step 9: Door Frame Installation

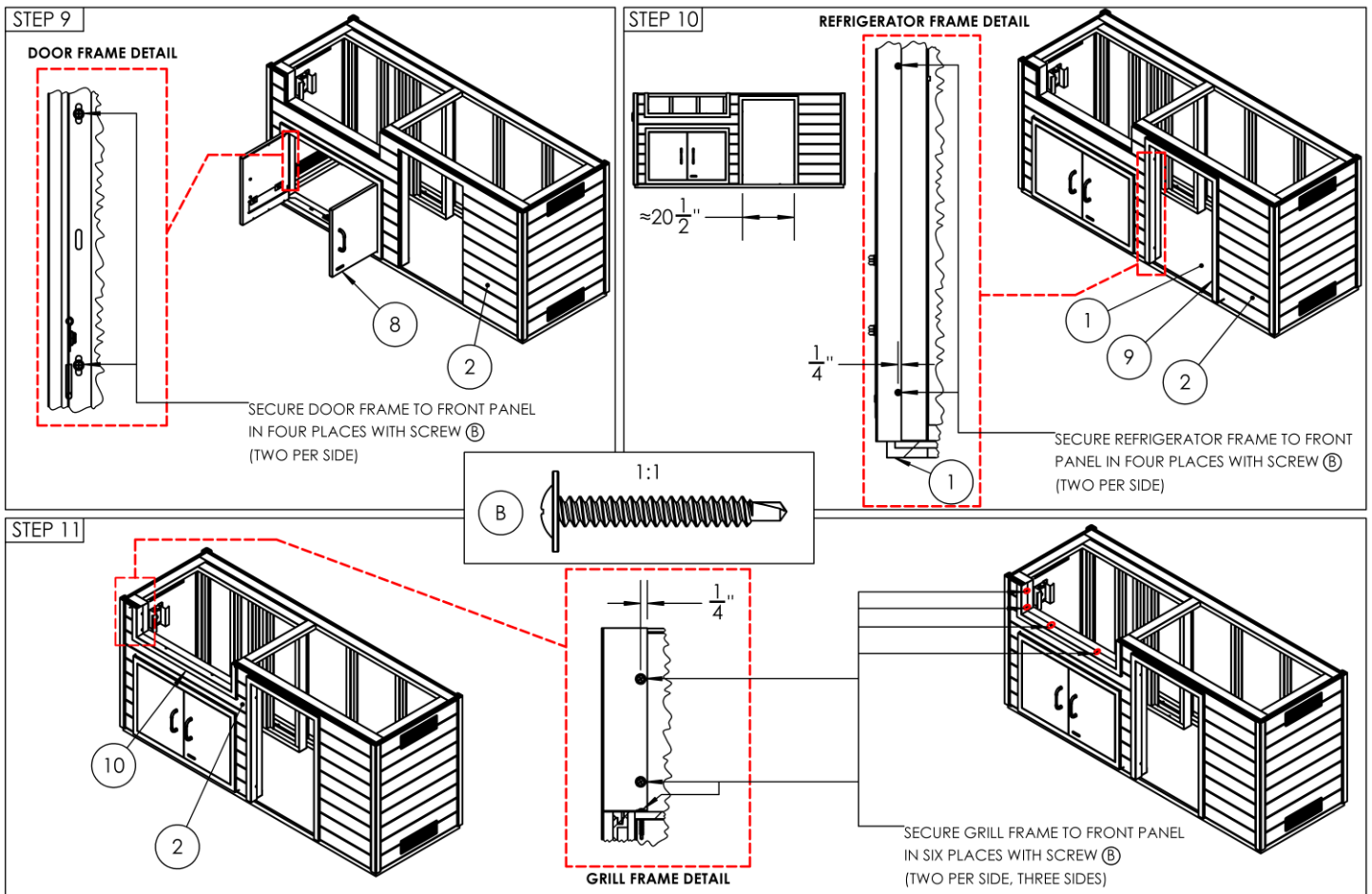
- Slide door frame (8) into cutout on front panel (2) until flush.
- Fasten door frame to front panel with screw (B) in four places with drill and No. 2 Phillips head bit

Step 10: Refrigerator Frame Installation

- Slide the refrigerator frame (9) into the cutout in the front panel (2) and allow the bottom of the refrigerator frame (9) to rest flush with the bottom panel (1).
- Fasten refrigerator frame to the front panel with screw (B) in four places with drill and No. 2 Phillips head bit.
 - **Important:** Do not overtighten screws! Check opening in refrigerator frame after securing and ensure it is approximately 20 1/2".

Step 11: Grill Frame Installation

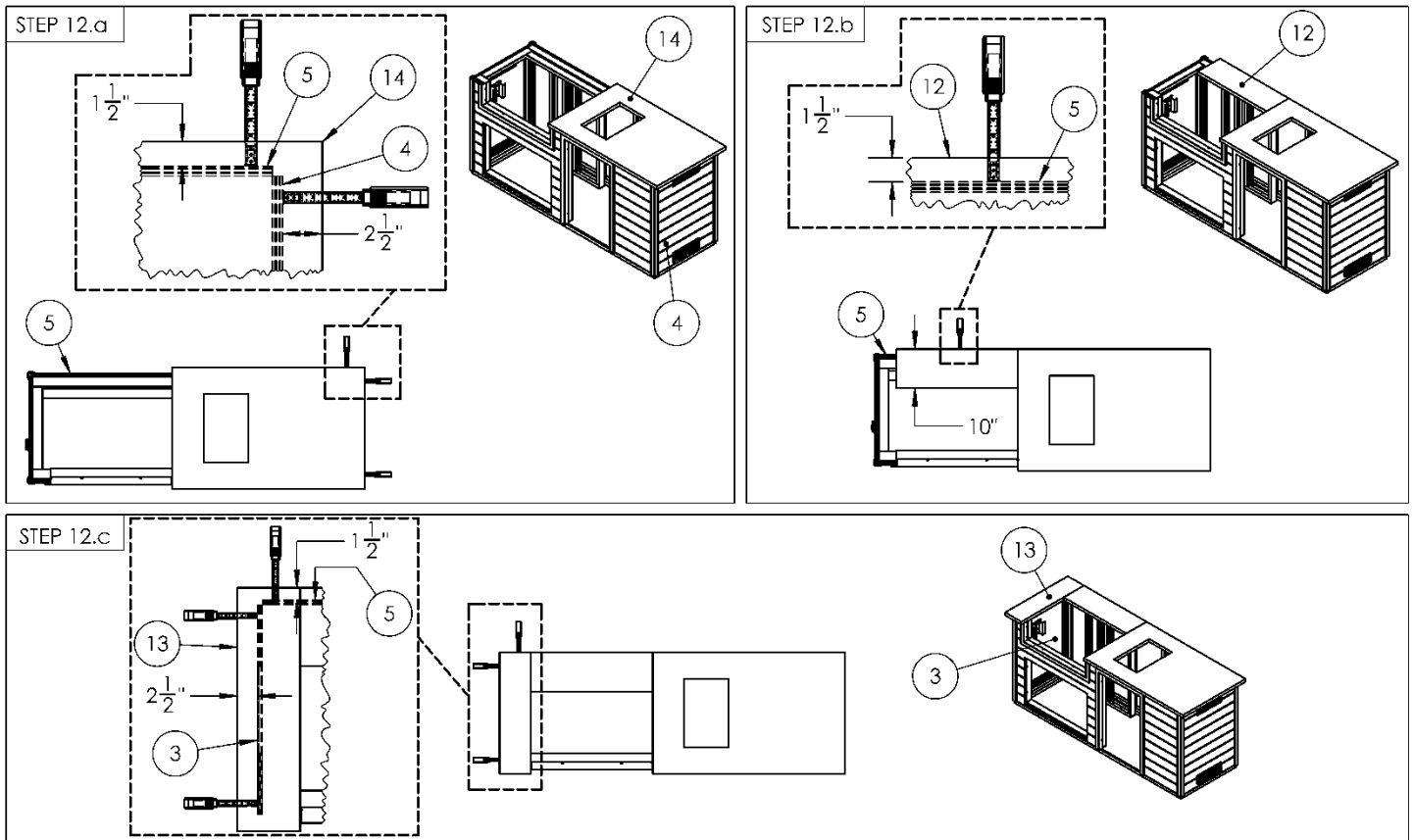
- Slide the grill frame (10) into the cutout on the front panel (2) until flush.
- Fasten grill frame to front panel with screw (B) in six places with drill and No. 2 Phillips head bit.





Step 12: Granite Layout

- a) With the help of a second person, carefully set the largest granite section (14) in place as shown below in Fig 12.a.
 - Ensure that there is approximately of 1.5" offset from the rear panel (5).
 - Ensure that there is approximately 2.5" of offset from right side panel (4).
- b) Place the next granite section (12) as shown below in Fig 12.b.
 - Ensure that there is approximately of 1.5" offset from the rear panel (5)
- c) Place the last granite section (13) as shown below Fig 12.c.
 - Ensure that there is approximately 1.5" offset from the rear panel (5)
 - Ensure that there is approximately 2.5" of offset from the left side panel (3)



Step 13: Granite Securement

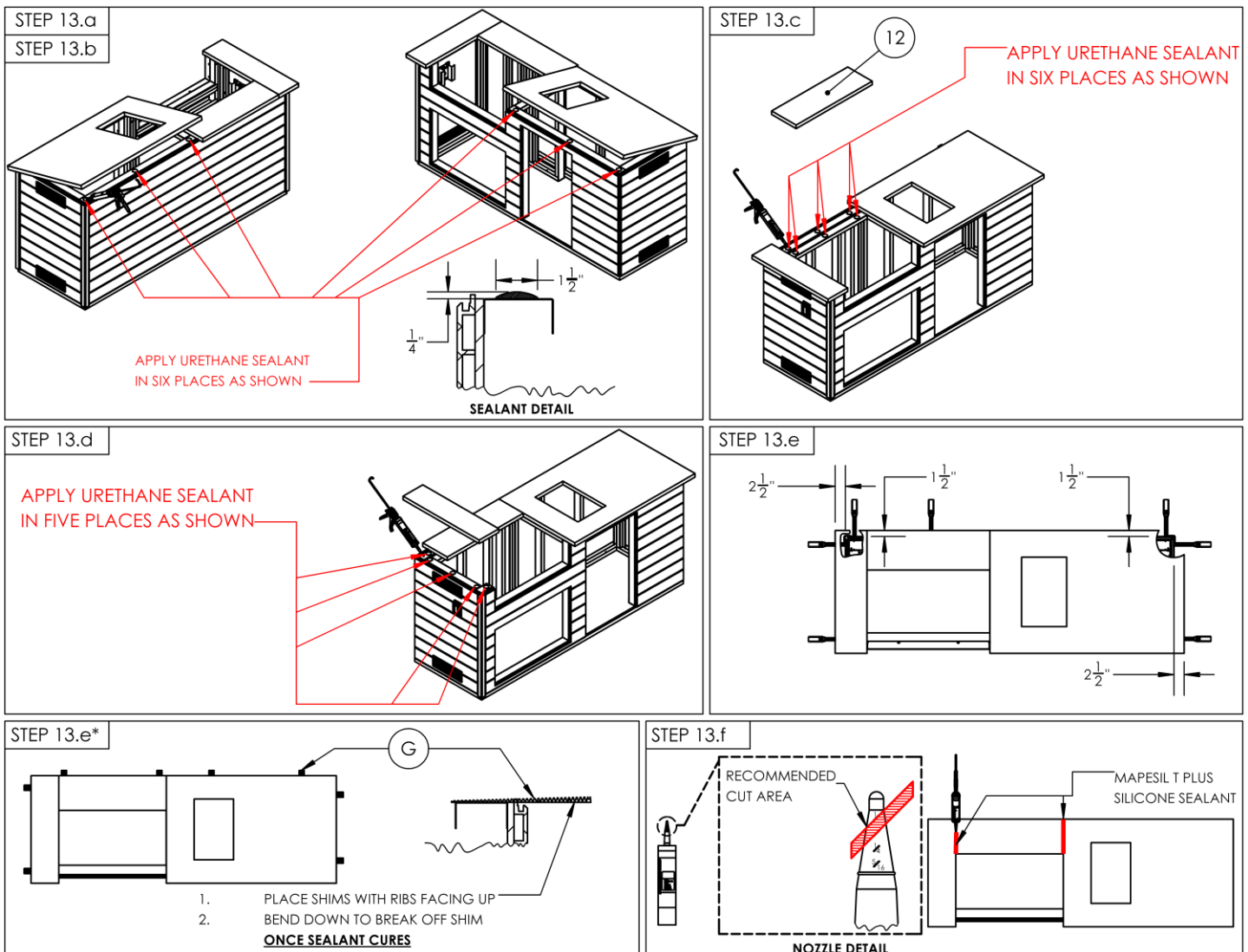
- a) Begin with the help of a second person and tilt the large granite piece (14) just high enough to fit the caulk gun underneath and place three round dabs of the ADTHANE urethane sealant (E) as shown below in Fig 13.a “SEALANT DETAIL”.
 - **IMPORTANT:** It is imperative to limit movement of the granite to restrict the granite from shifting.
- b) Slowly lower the granite. Tilt the other end of the larger granite piece (14) up and place three more dabs of the urethane sealant and carefully lower the granite back in place.
- c) Carefully lift middle granite piece (12) and place six round dabs of urethane sealant (E) as shown below in Fig 13.c. Gently lower middle granite piece back in place.



- d) Repeat with smaller end granite piece (13) and place five round dabs of urethane sealant (E) as shown in Fig 13.d. Gently replace end piece.
- e) The granite may have shifted during the earlier steps...realign and verify offsets from **Step 12**.
- o If necessary, install composite shims (G) as shown in Fig 13.e* to ensure a nice, even, level surface between all three granite pieces.
 - o Place shims with ribs facing up and bend downwards towards the ground once the sealant has cured to remove excess shim material.

IMPORTANT: If possible, allow urethane sealant to cure for 24 hours before installing grill or other components. If this is not possible, continue to **Step 14: Grill Installation**. After carefully installing the grill, re-verify the granite offsets as shown in 13.e.

- f) The MAPESIL T PLUS colored silicone sealant (F) has pre-measured cutoff notches on the nozzle tip. Carefully cut along the angled line on one of the markings for desired bead width. Apply two beads as shown in Fig 13.f and wipe them clean to desired appearance.
- o **Important:** Bull® recommends a bead size within the range of 1/8" – 3/16" for the granite top seams





Step 14: Grill Installation

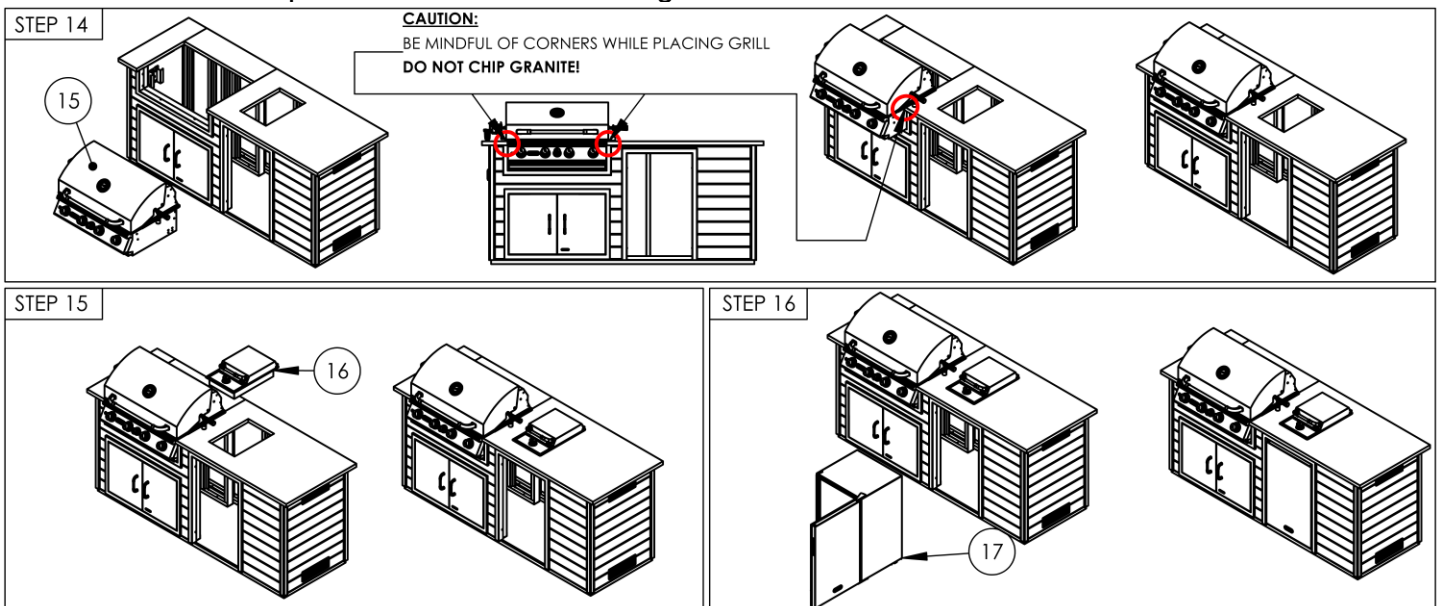
- Reducing the weight of the grill prior to installation will make it easier to position the grill while also minimizing the risk of damaging the granite countertops. For this reason, Bull® recommends removing all loose components before continuing.
- With a second person, carefully lift and place the grill into the cutout.
 - **IMPORTANT:** Take great care while placing the grill to avoid chipping the corners on your new granite countertop!
- With the grill properly seated, place all removed components back into the grill.

Step 15: Side Burner Installation

- To install the side burner, drop the burner into the cutout on the countertop.
- Before installing the refrigerator, now is the time to connect the fuel lines to both the grill and side burner as instructed in their respective manuals.

Step 16: Refrigerator Installation

- Remove all loose components and leave the door open. Connect the power cord.
- With the door open, place palms on inside roof of refrigerator and carefully lift it up and slide it into the opening in the front panel (2).
 - **IMPORTANT:** Do not try and slide the refrigerator by pushing on the door with it closed...doing so can damage the door!
- Place all components back into the refrigerator.



Step 17: Enjoy Your New Outdoor Kitchen

Here at Bull®, we would like to thank you for choosing us for your outdoor cooking needs.

Questions or comments? Contact us at: islands@bullbbq.com, if not...

It is time to start Grillin' and Chillin'!